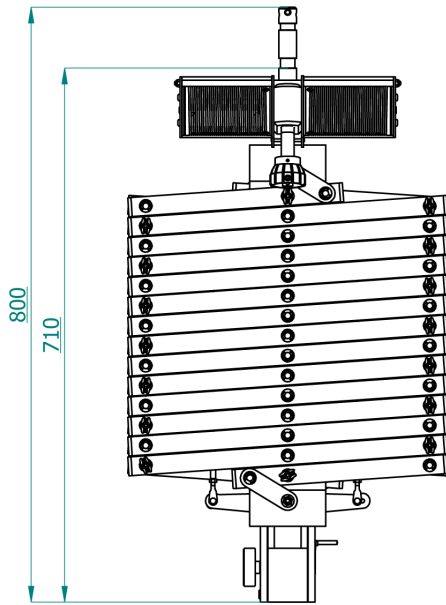
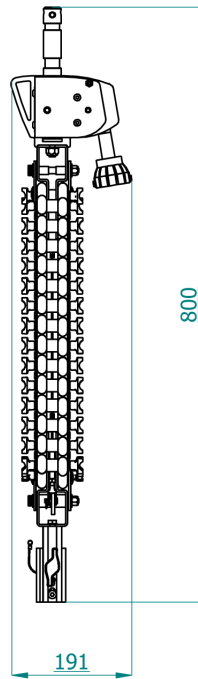


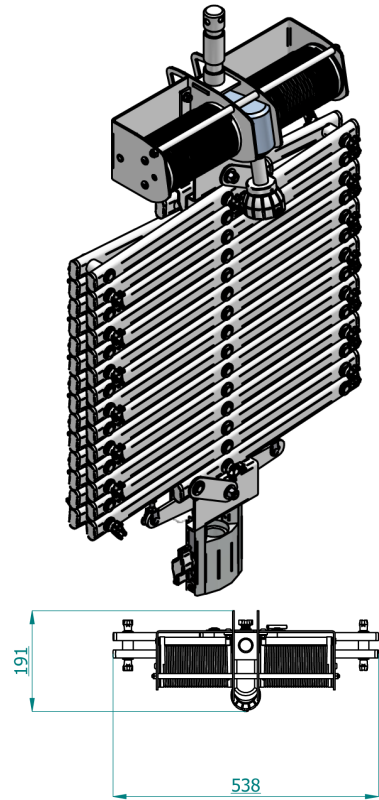
PM400 dimensional data



Front view



Side view



**Front perspective
and top view**

Pantograph Model	PM400X60
Working Load Limit (WLL) Kg	40
Total drop mm	6007
Closed height (mm)	800
Scissor width (mm)	538
Pantograph depth (mm)	191
Scissor group oval shape	aluminium
Pantograph gear group size (mm)	190
Pantograph gear group width (mm)	330
Top gear group (irreversible)	steel
Self weight (net) (Kg)	21,3
Drop adjustment and brake	via telescopic P.O.
Max Lifting speed (with motorized P.O) rpm	150 rpm
Lifting steel ropes diameter (mm)	2 x 2,5mm
Safety Factor	10
Top fixing	Male 28 mm spigot
Standard bottom fixing	28 mm bushing
Power for light	Power cable (6m drop + 3m extension) 3G2,5 type H07RNF w/230V 16A CEE plug & power-CON female plug
Signal for light	DMX cable (6m drop + 3m extension) with no. 2 RJ45 plug
Volume m ³ standard PM400 kg dimensions (60x100x30)cm	0,18m ³
Packing weight (gross) (Kg)	26,7